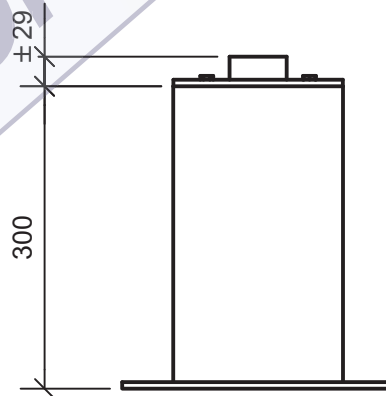
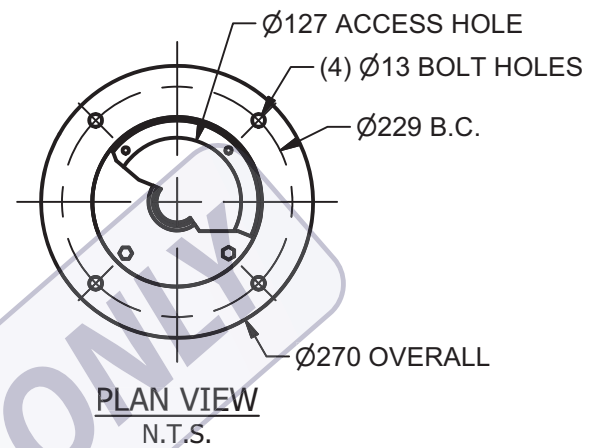


ISO VIEW


MATERIAL: Stainless Steel, Gr 304L

SHIPPING WGT. = 7.7 kg

DIMENSION ARE MILLIMETERS
UNLESS OTHERWISE NOTED



ELEVATION
N.T.S.

THIS DRAWING IS THE PROPERTY OF CDM MECHANICAL LTD. THE CONTENTS ARE CONFIDENTIAL AND ARE NOT TO BE DISCLOSED OR REPRODUCED WITHOUT THE WRITTEN CONSENT OF CDM AND ARE NOT TO BE USED IN ANY WAY DETRIMENTAL TO ITS INTERESTS. COPYRIGHT CLIENT: Contractor	1	Feb 23/18	For Information	DAA		
	REV	DATE	DESCRIPTION	ISSUED BY	APP'D	
 <i>Mechanical Ltd.</i> www.cdmmechanical.com	PROJECT:			Project Location		
	DRAWING:			150 Stainless Steel Transducer Sleeve MODEL No: CDM-TS-150TS-SS		
	DATE:	DRAWN:	DESIGN:	SCALE:	JOB No:	DRAWING No:
	DEC/17	DAA	AS NOTED	####-554	TS01	