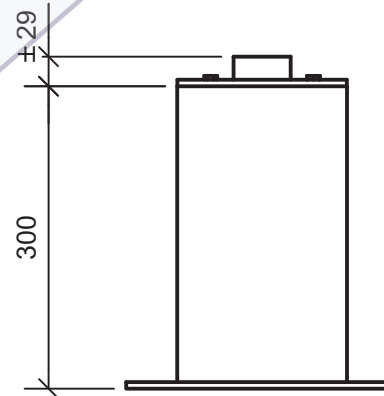
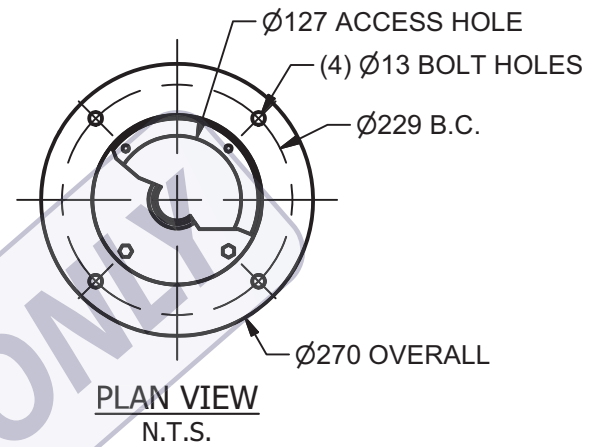



ISO VIEW

MATERIAL: Aluminum 6061

SHIPPING WGT. = 2.6 kg

DIMENSION ARE MILLIMETERS
UNLESS OTHERWISE NOTED



| THIS DRAWING IS THE PROPERTY OF CDM MECHANICAL LTD. THE CONTENTS ARE CONFIDENTIAL AND ARE NOT TO BE DISCLOSED OR REPRODUCED WITHOUT THE WRITTEN CONSENT OF CDM AND ARE NOT TO BE USED IN ANY WAY DETRIMENTAL TO ITS INTERESTS. COPYRIGHT | 1 | Feb 23/18 | For Information | DAA | |
|--|--|---------------|-----------------|--|---------------------|
| | REV | DATE | DESCRIPTION | ISSUED BY | APP'D |
| CLIENT: |  Mechanical Ltd. www.cdmmechanical.com | | | PROJECT: Project Location | |
| Contractor | | | | DRAWING: 150 Al. Transducer Sleeve MODEL No: CDM-TS-150TS-AL | |
| | DATE: DEC/17 | DRAWN: DAA | DESIGN: | SCALE: AS NOTED | JOB No: ###-554 |
| | | | | | DRAWING No: TS01 |