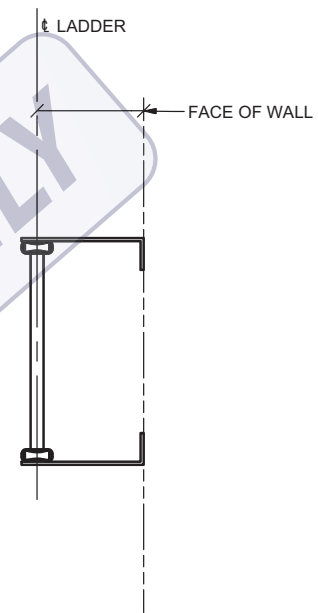
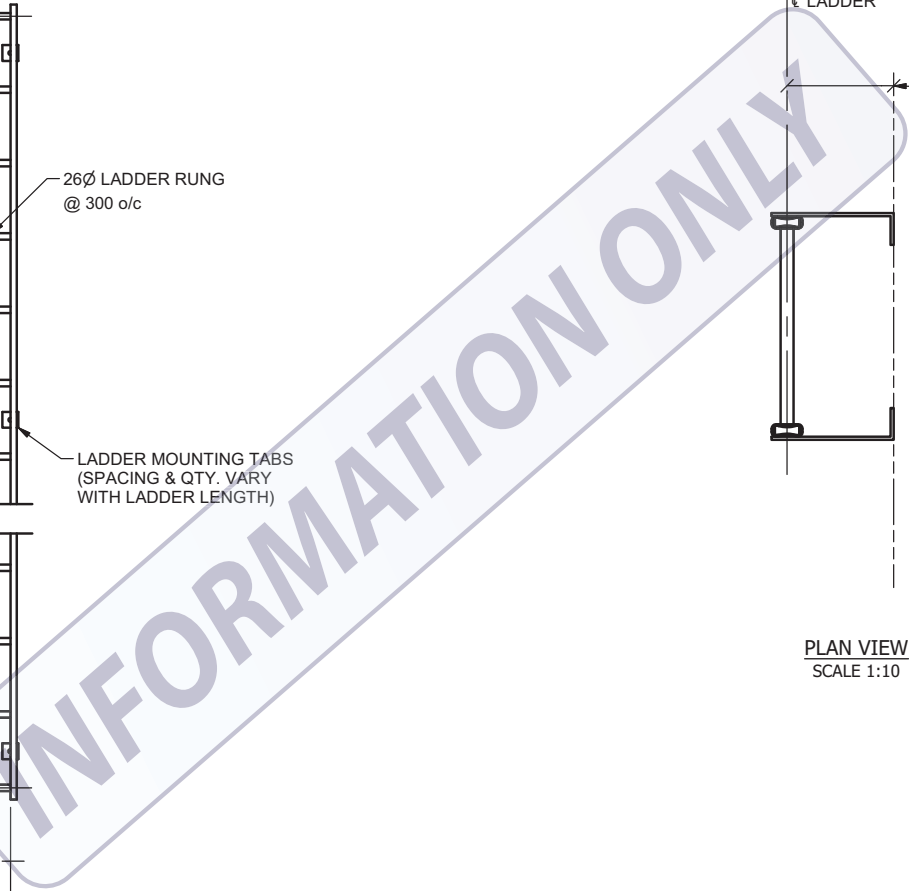


ELEVATION
SCALE 1:20



PLAN VIEW
SCALE 1:10



THIS DRAWING IS THE PROPERTY OF CDM MECHANICAL LTD. THE CONTENTS ARE CONFIDENTIAL AND ARE NOT TO BE DISCLOSED OR REPRODUCED WITHOUT THE WRITTEN CONSENT OF CDM AND ARE NOT TO BE USED IN ANY WAY DETRIMENTAL TO ITS INTERESTS. COPYRIGHT		1	Feb 23/18	For Information	DAA	
REV	DATE	DESCRIPTION		ISSUED BY	APP'D	
CLIENT:		PROJECT: Project Location DRAWING: Aluminum Ladder (400 wide) STOCK No: CDM-LAD-400-AL				
Contractor		DATE:	DRAWN:	DESIGN:	SCALE:	JOB No:
			DAA		AS NOTED	###-559
						DRAWING No: LAD01

DIMENSIONS ARE MILLIMETERS UNLESS OTHERWISE NOTED **METRIC**