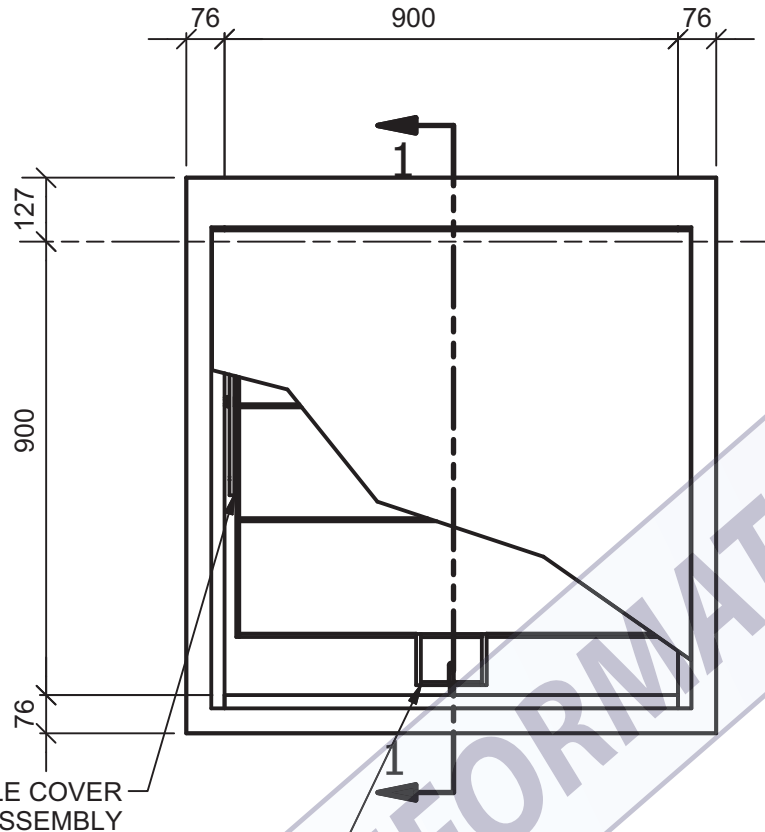


**SPECIFICATIONS:**

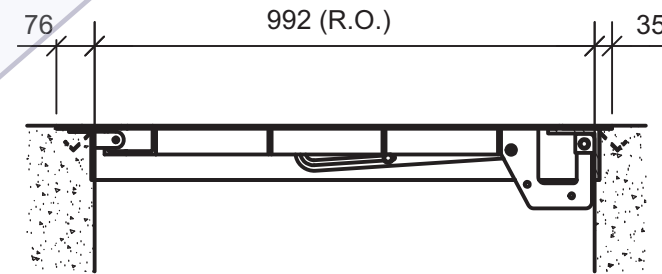
- FRAME TO BE 6061-T6 ALUMINUM ALLOY
- TOP COVER PLATE TO BE 6mm ALUMINUM CHECKER PLATE, TYPE 5086
- ALL HARDWARE TO BE STAINLESS STEEL (INCLUDED)
- ALL ALUMINUM SURFACES IN CONTACT WITH CONCRETE TO HAVE 2 COATS OF BITUMASTIC PAINT.



LOCKABLE COVER STAY ASSEMBLY

LOCKABLE BOX HANDLE /w LOCK TAB (SEALED BOX HANDLE OPTION AVAILABLE UPON REQUEST)

**PLAN VIEW**  
SCALE 1:15



**SECTION 1**  
SCALE 1:15

DIMENSION ARE MILLIMETERS  
UNLESS OTHERWISE NOTED



THIS DRAWING IS THE PROPERTY OF CDM MECHANICAL LTD. THE CONTENTS ARE CONFIDENTIAL AND ARE NOT TO BE DISCLOSED OR REPRODUCED WITHOUT THE WRITTEN CONSENT OF CDM AND ARE NOT TO BE USED IN ANY WAY DETRIMENTAL TO ITS INTERESTS. COPYRIGHT

CLIENT:  
  
Contractor

1	Feb 23/18	For Information	DAA	
REV	DATE	DESCRIPTION	ISSUED BY	APP'D
		PROJECT: Project Location		
		DRAWING: 900 x 900 Aluminum Access Hatch, Cast In MODEL: CDM-HTA-0900x0900c-AL		
DATE:	DRAWN:	DESIGN:	SCALE:	JOB No:
NOV/17	DAA		AS NOTED	###-501
				DRAWING No: HTA01

