

LOCKABLE COVER
STAY ASSEMBLY

LOCKABLE BOX HANDLE /w LOCK
TAB (SEALED BOX HANDLE OPTION
AVAILABLE UPON REQUEST)

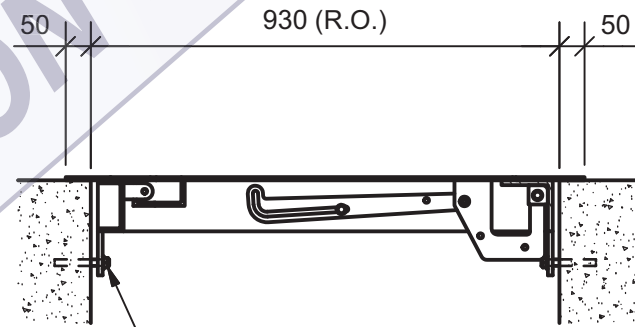
PLAN VIEW
SCALE 1:15

SPECIFICATIONS:

- FRAME TO BE 6061-T6 ALUMINUM ALLOY
- TOP COVER PLATE TO BE 6mm ALUMINUM CHECKER PLATE, TYPE 5086
- ALL HARDWARE TO BE STAINLESS STEEL (INCLUDED)
- ALL ALUMINUM SURFACES IN CONTACT WITH CONCRETE TO HAVE 2 COATS OF BITUMATISTIC PAINT.

INSTALLATION GUIDELINES:

1. LOWER TOP COVER INTO PLACE AND CENTER IN OPENING
2. MARK LOCATION OF ANCHORS ON CONCRETE WALL
3. REMOVE TOP COVER AND DRILL ANCHOR HOLES
4. REPLACE TOP COVER AND SECURE WITH WEDGE ANHORS (PROVIDED)



(4) ANCHOR TABS c/w
12x108 SS Wedge Anchors

SECTION 1
SCALE 1:15

DIMENSION ARE MILLIMETERS
UNLESS OTHERWISE NOTED **M**ETRIC

THIS DRAWING IS THE PROPERTY OF
CDM MECHANICAL LTD. THE
CONTENTS ARE CONFIDENTIAL AND
ARE NOT TO BE DISCLOSED OR
REPRODUCED WITHOUT THE WRITTEN
CONSENT OF CDM AND ARE NOT TO
BE USED IN ANY WAY DETRIMENTAL
TO ITS INTERESTS.
COPYRIGHT

CLIENT:

Contractor

1	Feb 23/18	For Information	DAA	
REV	DATE	DESCRIPTION	ISSUED BY	APP'D
		PROJECT: Project Location		
		DRAWING: 750 x750 Aluminum Access Hatch, Standard Drop-In MODEL: CDM-HTA-0750x0750s-AL		
DATE:	DRAWN:	DESIGN:	SCALE:	JOB No:
NOV/17	DAA		AS NOTED	###-501
				DRAWING No: HTA01

