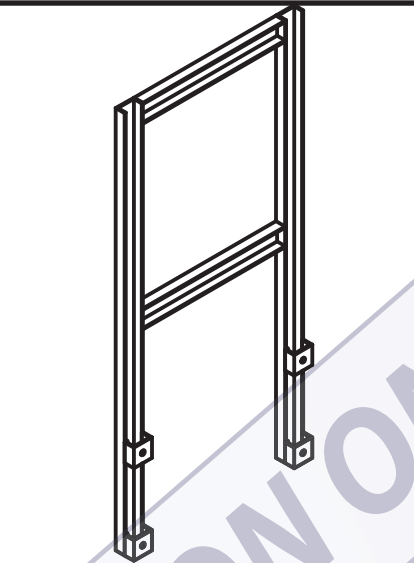
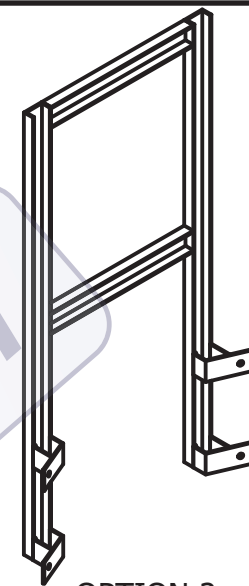


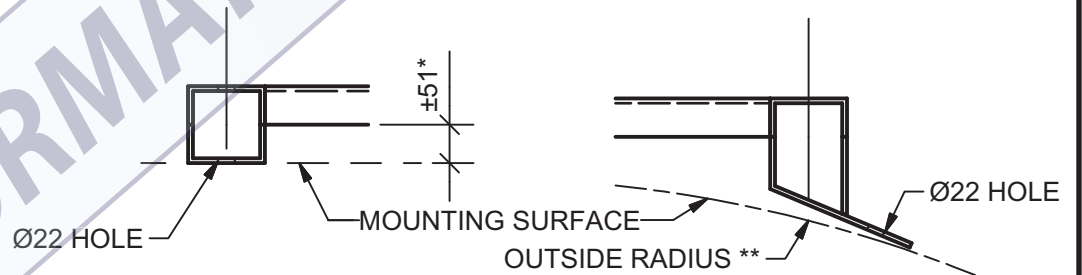
**ELEVATION**  
SCALE 1:20



**OPTION 1**  
**FLAT MOUNTING BRACKETS**  
SCALE 1:30



**OPTION 2**  
**CURVED MOUNTING BRACKETS**  
SCALE 1:30



**OPTION 1**  
**FLAT MOUNTING BRACKET DETAIL**  
SCALE 1:10

**OPTION 2**  
**CURVED MOUNTING BRACKET DETAIL**  
SCALE 1:10

**SPECIFICATIONS:**

- Electrical Control Panel Support Frame shall be constructed of type 6061-T6 extruded aluminum members.

\* Field verify clearance to any overhangs above mounting surface.

\*\* Verify outside radius of curved mounting surface.

DIMENSION ARE MILLIMETERS  
UNLESS OTHERWISE NOTED

THIS DRAWING IS THE PROPERTY OF CDM MECHANICAL LTD. THE CONTENTS ARE CONFIDENTIAL AND ARE NOT TO BE DISCLOSED OR REPRODUCED WITHOUT THE WRITTEN CONSENT OF CDM AND ARE NOT TO BE USED IN ANY WAY DETRIMENTAL TO ITS INTERESTS. COPYRIGHT

CLIENT:  
  
Contractor



*Mechanical Ltd.*  
www.cdmmechanical.com

1	Feb 23/18	For Information	DAA	
REV	DATE	DESCRIPTION	DRAWN	APP'D
PROJECT:		Project Location		
DRAWING:		Aluminum Control Panel Support Frame (Large) - 10ft Dia. Tank Stock No.: CDM-CPF-900x1500-AL		
DATE:	DRAWN:	DESIGN:	SCALE:	JOB No:
Jan/17	DAA		AS NOTED	###-554
DRAWING No:		CPF900		